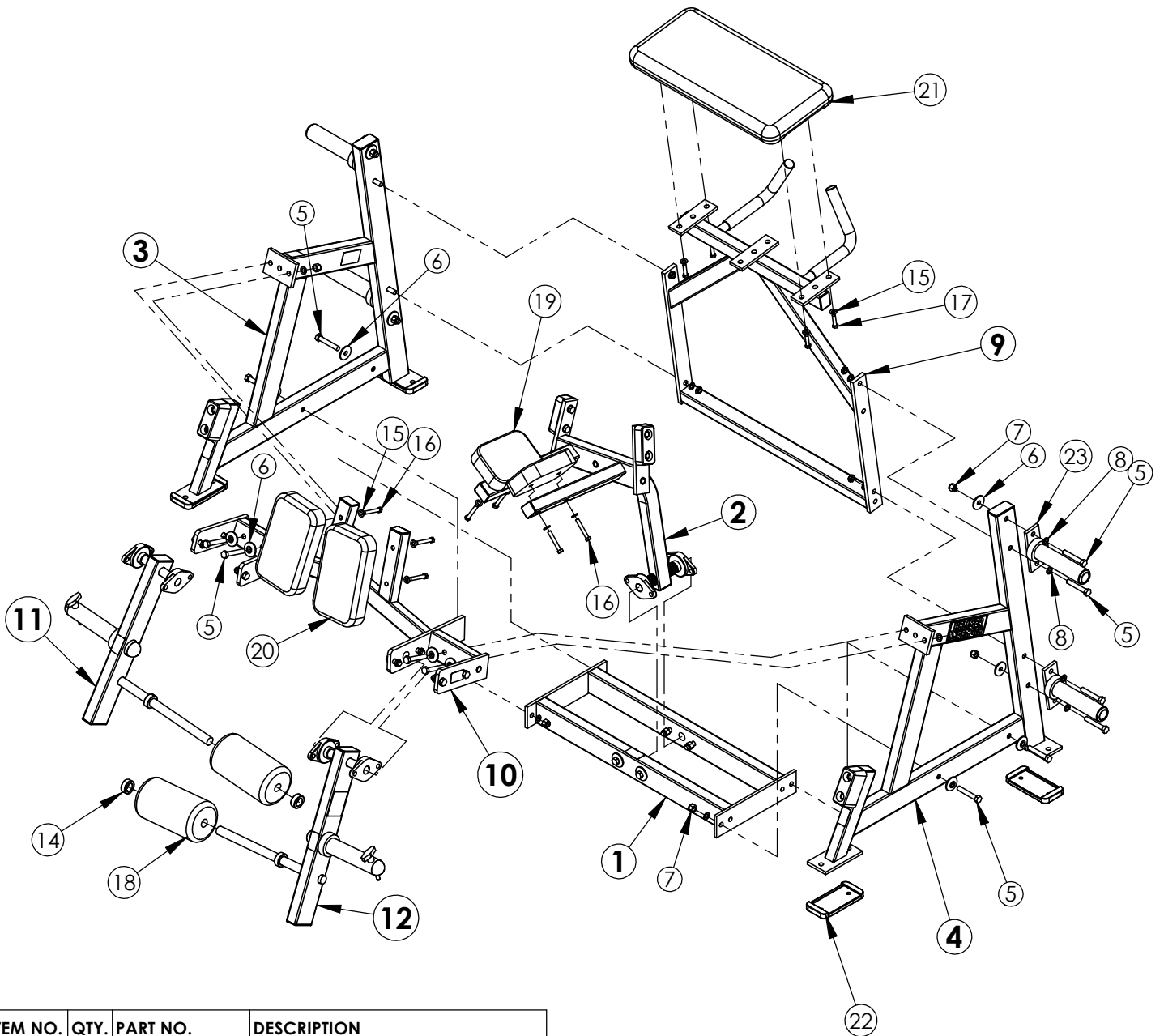


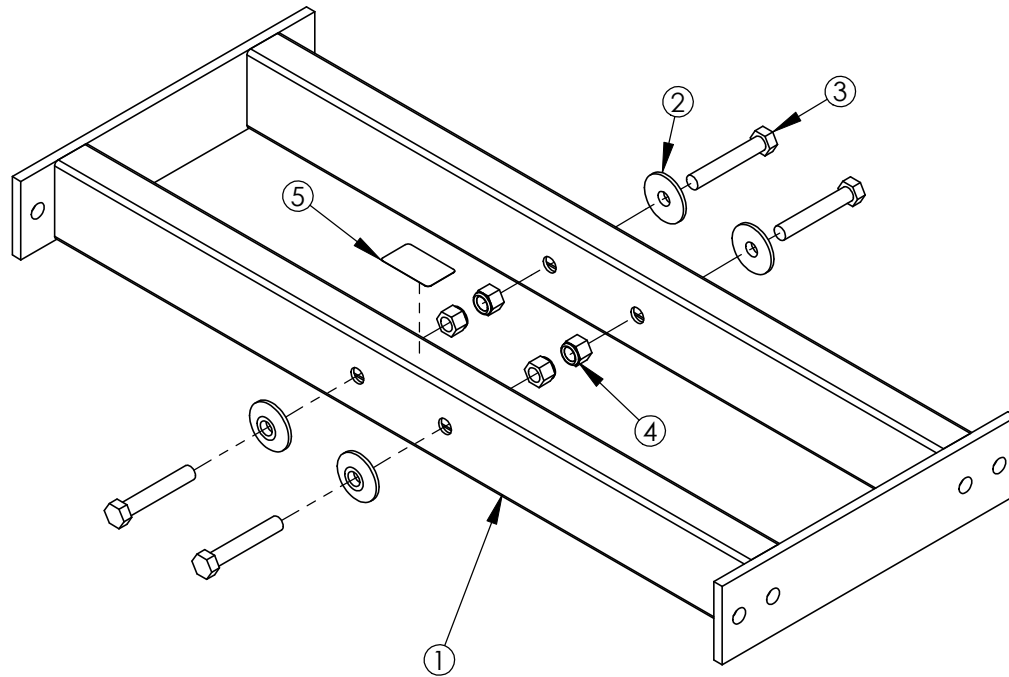
WEIGHT = 261 LB  
LENGTH = 43"  
WIDTH = 50"  
HEIGHT = 47"

# HAMMER STRENGTH EQUIPMENT ILKLC EXPLODED



ITEM NO.	QTY.	PART NO.	DESCRIPTION
1	1	ILKLC-CBX-0	ASSY, ILKLC, BOTTOM X-FRAME
2	1	ILKLC-CETC-1	ASSY, ILKLC, ETC KNEE
3	1	ILKLC-CSFL-3	ASSY, ILKLC, LEFT SIDE FRAME
4	1	ILKLC-CSFR-3	ASSY, ILKLC, RIGHT SIDE FRAME
5	16	HHB.5X3	1/2 X 3 BOLT
6	12	H-BACK-WASH	BACKING WASHER
7	12	NUT.SLOCK	1/2 DIA THICK LOCK NUT
8	20	WASH.5STAR	1/2" INTERNAL LOCK WASHER
9	1	ILKLC-CFX-1	ASSY, ILKLC, FRONT X-FRAME
10	1	ILKLC-CWB-1	ASSY, ILKLC, WORK BOX
11	1	ILKLC-CMAL-2	ASSY, ILKLC, LEFT MARM
12	1	ILKLC-CMAR-2	ASSY, ILKLC, RIGHT MARM
13	4	NUT.5JAMLOCK	1/2 THIN LOCK NUT
14	4	H-LCOLLARI	1" LOCK COLLAR
15	12	WASH.375SAE	3/8" SAE FLAT WASHER
16	8	HHB.375X2.5	STEEL BOLT 3/8 X 2.5
17	4	HHB.375X1.5	STEEL BOLT 3/8 X 1.5
18	2	U-RP1	ROLLER
19	2	U-7-4.5	LEG PADS
20	2	U-10-4.5S-NC	PAD, 10-4.5
21	1	U-CBI	Elbow Pad
22	4	MM-9	3 X 6 FLANGE RUBBER SLIPPER
23	4	H-HORN-ASSY	ASSY, WEIGHT HORN

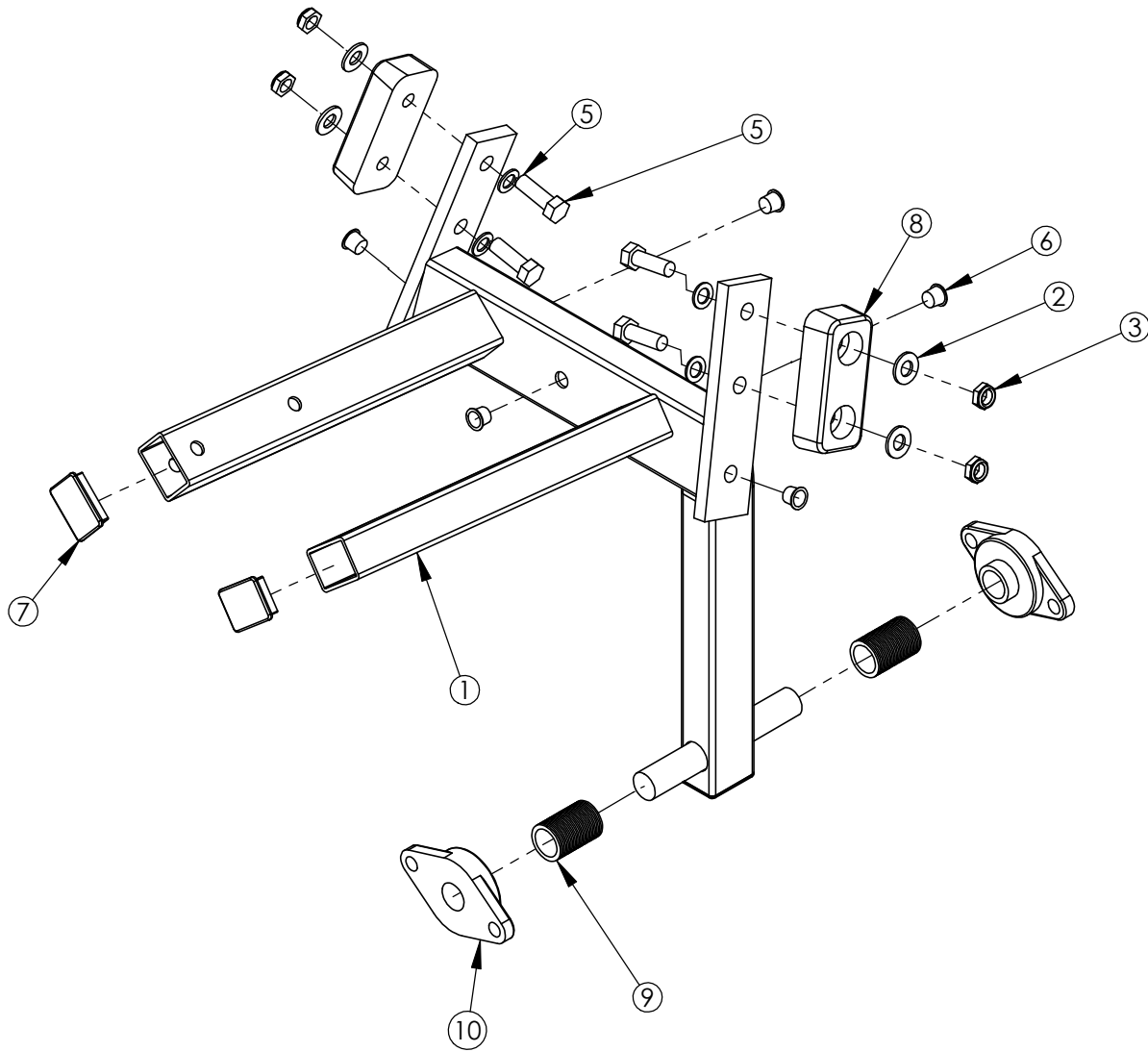
**HAMMER STRENGTH EQUIPMENT**  
**ILKLC-CBX-0, ASSY, ILKLC, BOTTOM X-FRAME**



ITEM NO.	QTY.	PART NO.	DESCRIPTION
1	1	ILKLC-BX-0	WLDMT, ILKLC, BOTTOM X-FRAME
2	4	H-BACK-WASH	BACKING WASHER
3	4	HHB.5X3	1/2 X 3 BOLT
4	4	NUT.5LOCK	1/2 DIA THICK LOCK NUT
5	1	STAY CLEAR	STAY CLEAR DECAL

WEIGHT = 28 LB  
 LENGTH = 32"  
 WIDTH = 13"  
 HEIGHT = 3"

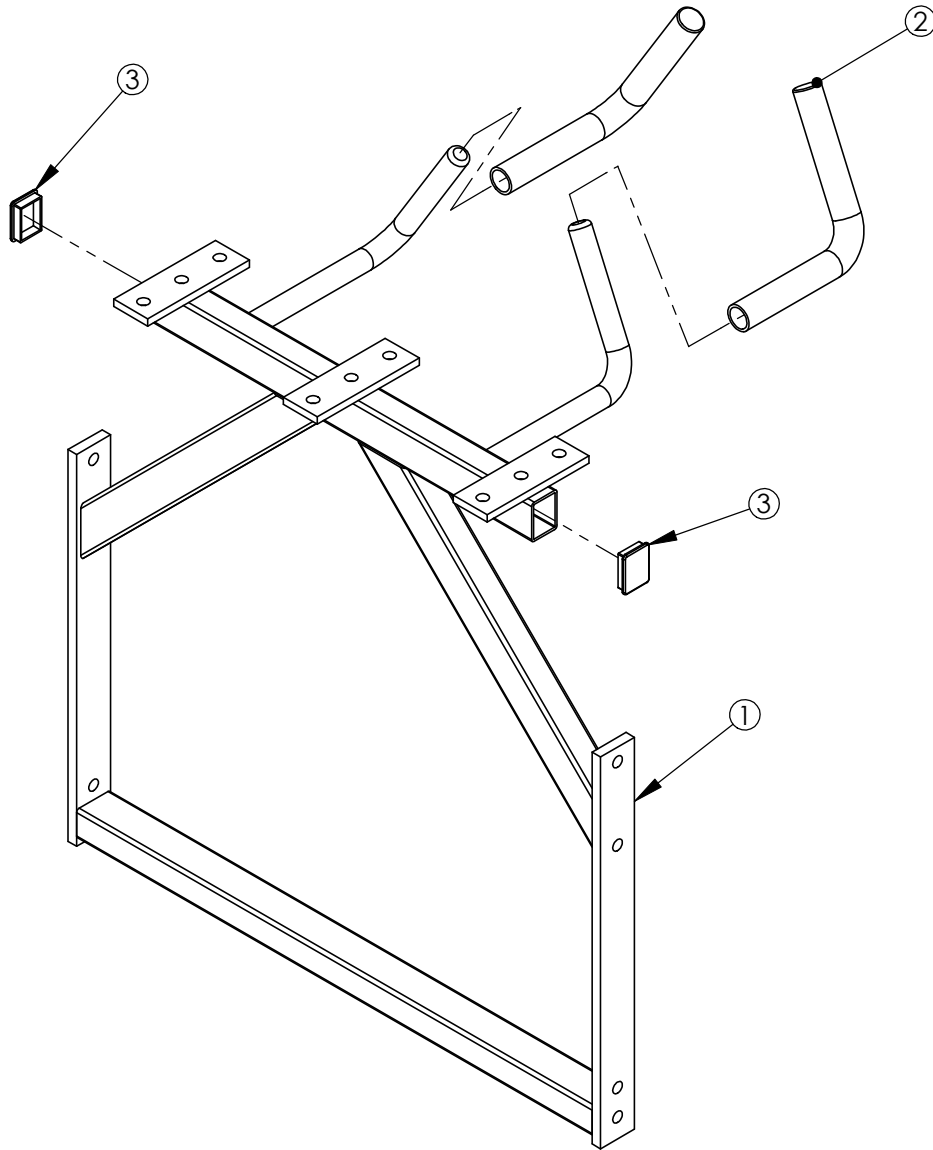
**HAMMER STRENGTH EQUIPMENT  
ILKLC-ETC-1, ASSY, ILKLC, ETC KNEE**



ITEM NO.	QTY.	PART NO.	DESCRIPTION
1	1	ILKLC-ETC-1	WLDMT, ILKLC, ETC KNEE
2	4	WASH.5SAE	1/2" SAE FLAT WASHER
3	4	NUT.5JAMLOCK	1/2 THIN LOCK NUT
4	4	WASH.5STAR	1/2" INTERNAL LOCK WASHER
5	4	HHB.5X1.5	BOLT, HEX HEAD 1/2 X 1-1/2
6	5	H-HPLUG (REG)	9/16IN HOLE PLUG
7	3	RC1520-1Q1	CAP:1-1/2 X 2 RECTANGLE PLUG
8	2	H-BUMP-SML	SMALL BUMPER (VEN# MM3)
9	2	ACCORDIAN	SHAFT GUARD
10	2	H-BEAR-SML	SMALL BEARING

WEIGHT = 23 lb  
 LENGTH = 26"  
 WIDTH = 16"  
 HEIGHT = 26"

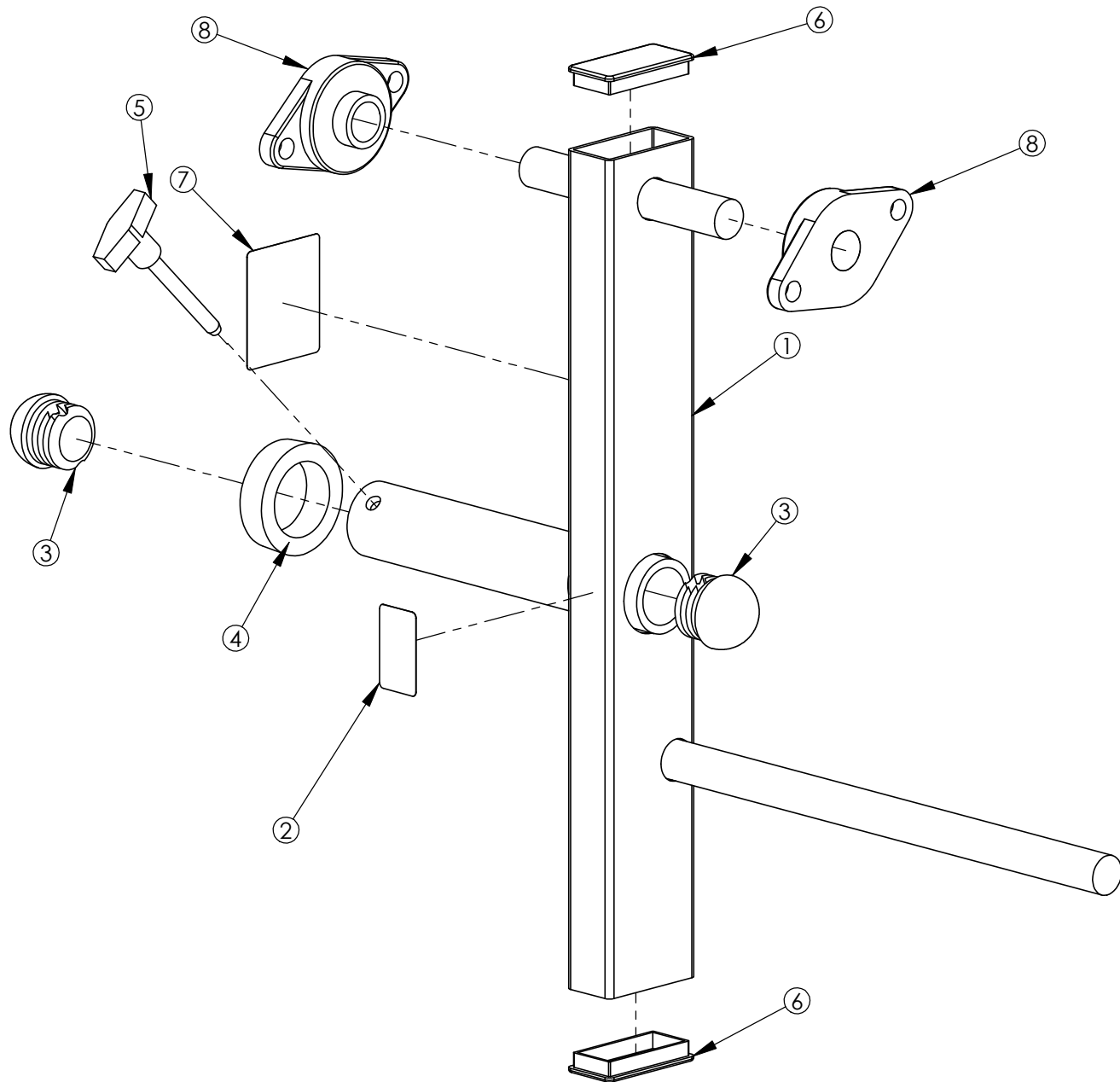
**HAMMER STRENGTH EQUIPMENT**  
**ILKLC-CFX-1, ASSY, ILKLC, FRONT X-FRAME**



ITEM NO.	QTY.	PART NO.	DESCRIPTION
1	1	ILKLC-FX-1	WLDMT, ILKLC, FRONT X-FRAME
2	2	H-GRIP	HANDLE GRIPS (.938X16)
3	2	RC1520-1Q1	CAP:1-1/2 X 2 RECTANGLE PLUG

WEIGHT = 44 LB  
 LENGTH = 32"  
 WIDTH = 36 1/2"  
 HEIGHT = 13 1/2"

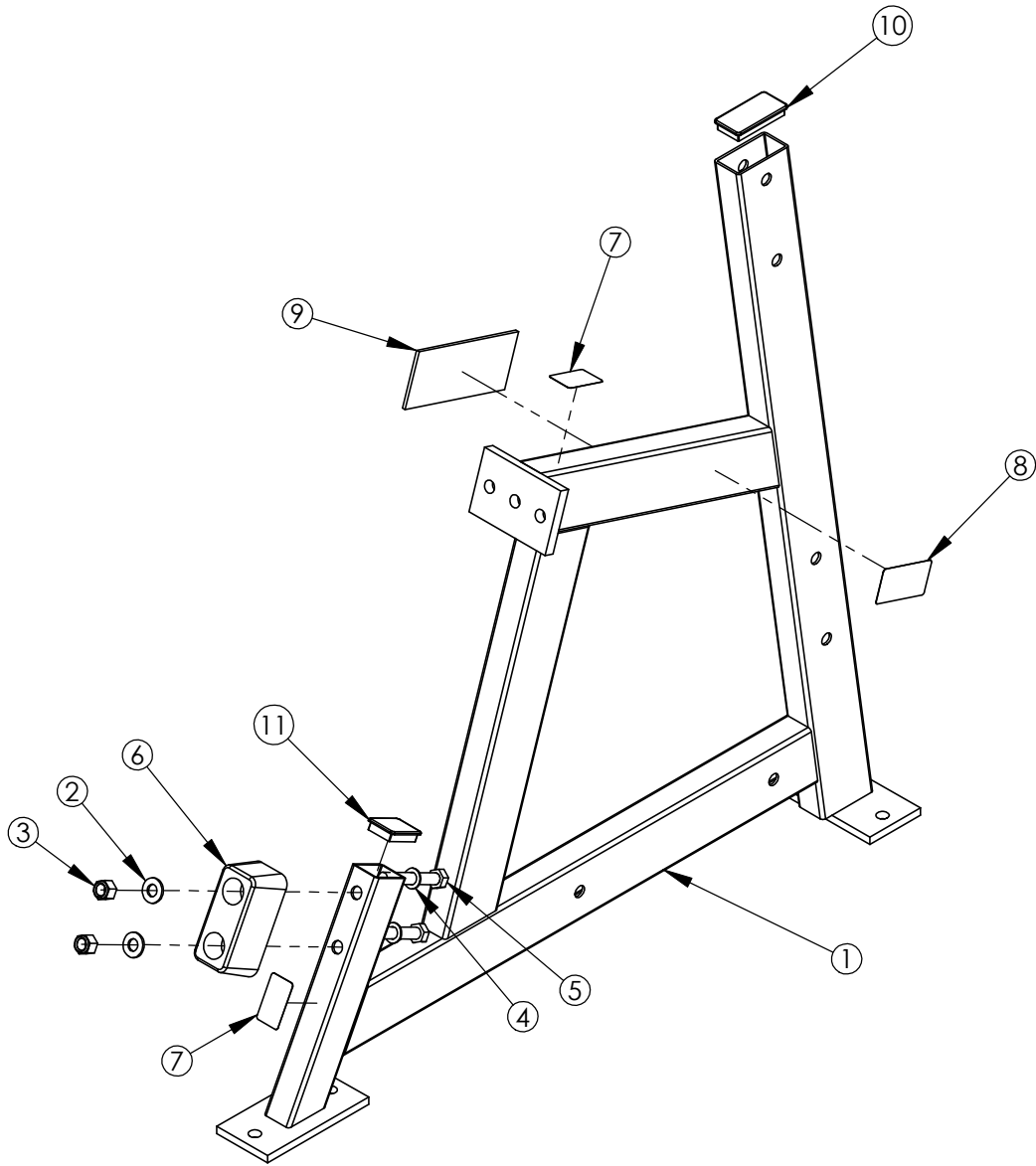
**HAMMER STRENGTH EQUIPMENT  
ILKLC-CMAL-2, ASSY, ILKLC, LEFT MARM**



ITEM NO.	QTY.	PART NO.	DESCRIPTION
1	1	ILKLC-MAL-1	WLDMT, ILKLC, LEFT MOVEMENT ARM
2	1	STAY CLEAR	STAY CLEAR DECAL
3	2	RUBCAP1-2	RUBBER CAP #1
4	1	H-RUBRNG	MM5 RING
5	1	SELECTOR PIN-3	SELECTOR PIN 3 IN.
6	2	RC1530-1Q1	CAP:1-1/2 X 3 RECTANGLE PLUG
7	1	MAX WEIGHT 25 LB	Max Weight 25lb
8	2	H-BEAR-SML	SMALL BEARING

WEIGHT = 17 LB  
LENGTH = 22"  
WIDTH = 25"  
HEIGHT = 3"

**HAMMER STRENGTH EQUIPMENT  
ILKLC-CSFL-3, ASSY, ILKLC, LEFT SIDE FRAME**



ITEM NO.	QTY.	PART NO.	DESCRIPTION
1	1	ILKLC-SF-2	WLDMT, ILKLC, SIDE FRAME
2	2	WASH.5SAE	1/2" SAE FLAT WASHER
3	2	NUT.5LOCK	1/2 DIA THICK LOCK NUT
4	2	WASH.5STAR	1/2" INTERNAL LOCK WASHER
5	2	HHB.5X3.5	1/2 X 3 1/2 BOLT
6	1	H-BUMP-MED	MM2 MEDIUM
7	2	STAY CLEAR	STAY CLEAR DECAL
8	1	PATENT	PATENT DECAL
9	1	H-NAME PLATE	NAMEPLATE (45156-P)
10	1	RC1530-1Q1	CAP:1-1/2 X 3 RECTANGLE PLUG
11	1	RC1520-1Q1	CAP:1-1/2 X 2 RECTANGLE PLUG

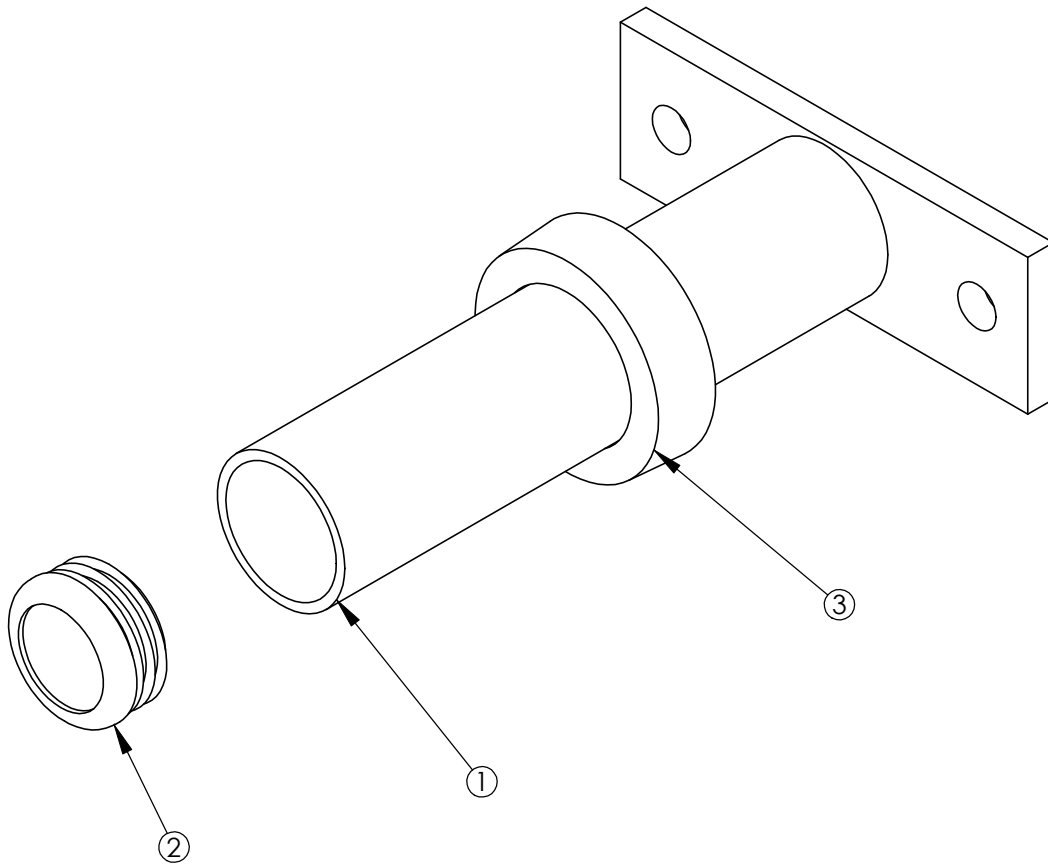
WEIGHT = 37 LB  
 LENGTH = 38"  
 WIDTH = 3"  
 HEIGHT = 37"

**HAMMER STRENGTH EQUIPMENT  
ILKLC-CWB-1, ASSY, ILKLC, WORKBOX**

WEIGHT = 33 LB  
LENGTH = 41"  
WIDTH = 13"  
HEIGHT = 13"



**HAMMER STRENGTH EQUIPMENT**  
**H-HORN-ASSY: WEIGHT HORN ASSEMBLY**



ITEM NO.	QTY.	PART NO.	DESCRIPTION
1	1	H-HORN	WLDMT, WEIGHT HORN
2	1	8078001	CAP, END 1.75 DIA RD 14-20 GA
3	1	H-RUBRNG	MM5 RING

WEIGHT = 3 1/4 lb  
 LENGTH = 8 5/8"  
 WIDTH = 6"  
 HEIGHT = 3"